

ROTATING RIGHT

FS-40 CL SINGLE BAG FILTER HOUSINGS

The FS-40 CL filter housing has a Clamp Lock Lid and is designed for continuous flow up to 40 US GPM or for small batch operations.

Typical applications include: water, ink, petro chemicals, oil & gas, food industry, automotive, paint, kitchens and pharmaceuticals.

Rotating Right offers a wide range of filter systems, along with the guidance necessary to install, operate and service them.

In addition, we have an array of technologies to choose from, including:

Bag filters, Cartridge filters, Media filtration , disposable filters (cartridges, bags, paper).

All our filtration products are available as single units or complete skid mounted high-pressure filter systems with ancillary equipment.



We offer Filter Bags for all available Filter Vessels

Sizes: P1, P2, P3, P4, P5, P6, P7, P8, P9, P12, PC1, PC2, C1, C2, and RP bags.

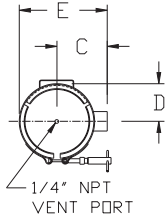
Carbon steel rings are standard; plastic and stainless rings, plastic tops, lifting handles, covers and glazing are available.

Accommodates flow rates from 1 up to 10,000 gpm

Bags available in most materials and micron ratings
CRN AVAILABLE FOR MOST MODELS

FS-40-CL

STYLE ONE

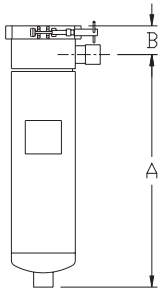


FITTING SIZE

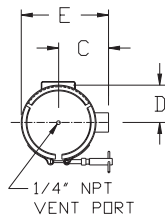
	A	B	C	D	E
1 FNPT	16-1/4	2-3/4	4-1/2	3	6-1/4

STD.

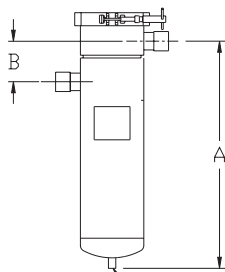
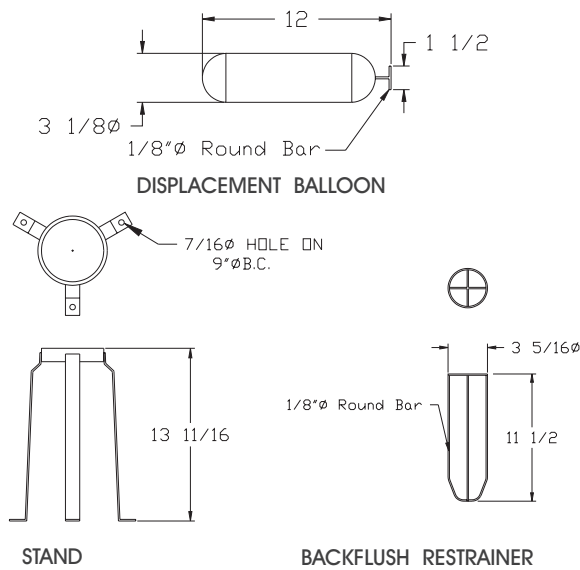
1-1/2 FNPT	16-1/4	2-3/4	4-1/2	3	6-1/4
------------	--------	-------	-------	---	-------



STYLE TWO



OPTIONS



FITTING SIZE

	A	B	C	D	E
1" FNPT	16-1/4	3	4-1/2	4	9

STD.

1-1/2" FNPT.	16-1/4	3	4-1/2	4	9
--------------	--------	---	-------	---	---

SHIPPING WEIGHT	15 lbs.
VOLUME	1 US. gal.
DESIGN PRESSURE	150 psig. @ 225 F°

INFORMATION ON THIS SHEET IS FOR SALES REFERENCE ONLY



Head Office:
6120 Davies Road
Edmonton, AB
T6E 4M9

Phone: (780) 485-2010 • Toll Free: (866) 707-7867
Fax: (780) 485-1938
• Calgary • Drayton Valley • Lethbridge
www.rotatingright.com