

ROTATING RIGHT

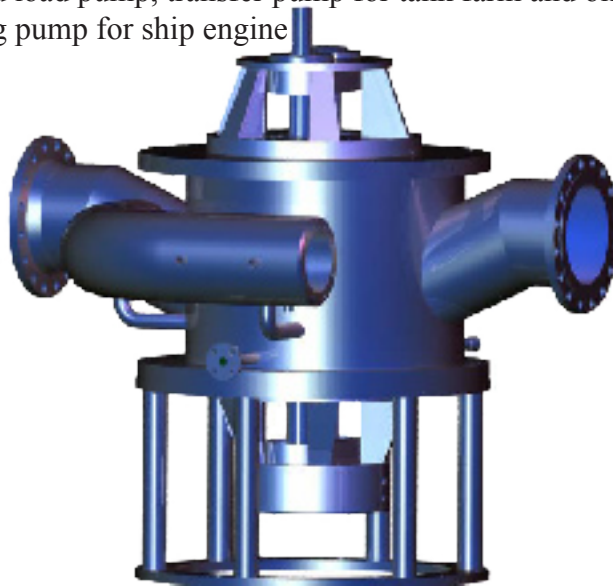
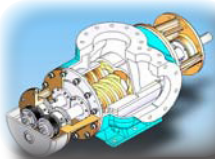
W.V.SW.SV.VH SERIES MARINE TWIN SCREW PUMPS

W.V.SW.SV.VH SERIES MARINE TWIN SCREW PUMPS

MANUFACTURED BY: CTP - TIANJIN PUMPS & MACHINERY GROUP CO LTD.

APPLICATIONS:

- Cargo or ballast pump for Oil Production vessels
- Cargo or ballast pump for Crude Oil tankers
- Cargo or ballast pump for Chemical tankers
- Cargo pump for bitumen ships
- Unload and load pump, transfer and process pump for oil platforms
- Unload and load pump, transfer pump for tank farm and oil docks
- Lubricating pump for ship engine



FEATURES:

- Submersible models available
- Quick cleaning for multiple fluid pumping
- Low shear of pumped liquid
- Excellent self-priming ability
- May pump mixture of gas & liquid.
- Non contacting moving parts
- Can run dry for short periods ~ 2 min.
- Max. Viscosity 10000 mm²/s
- High pressure models available



W.V.SW.SV.VH SERIES MARINE TWIN SCREW PUMPS

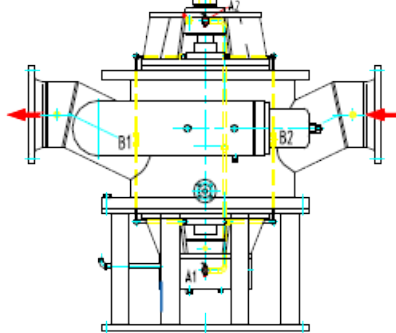
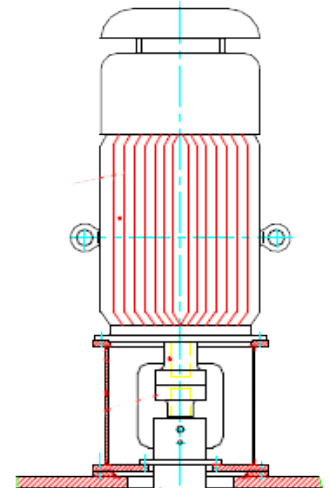
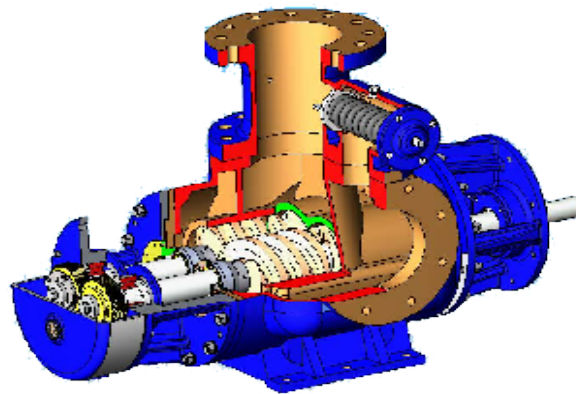
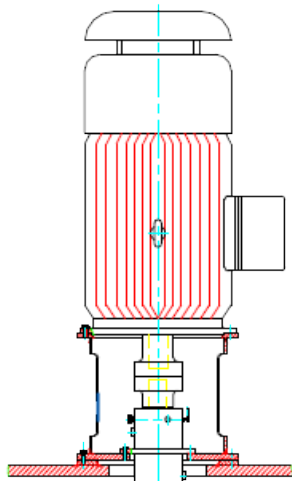
MANUFACTURED BY: CTP - TIANJIN PUMPS & MACHINERY GROUP CO LTD.

MODEL CODES:

W-SW Series: Horizontal

V-SV-VH Series: Vertical

U Series: Submersible (Vertical)



Submersible configuration,
pump is mounted outside of
explosion risk area.

SPECIFICATIONS:

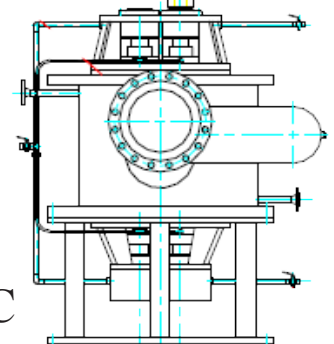
Capacity: 0 - 3500 m³/h

Pressure Range: 0 - 60 bar

Viscosity: 0.6 - 10000 mm²/s

Max Temperature: +-300 Deg C

Speed: ~1450 RPM



Flush cooled
mechanical seal
design.



Head Office:
6120 Davies Road
Edmonton, AB
T6E 4M9

Phone: (780) 485-2010 • Toll Free: (866) 707-7867

Fax: (780) 485-1938

• Calgary • Drayton Valley • Lethbridge

www.rotatingright.com