



Weatherford®

Industrial Pumps

ISO 9001

2020

Triplex Plunger Pump

Specifications:

Stroke Length: mm (Inches) 40 (1.575)

Rated power at 600 RPM: kw (hp)

45MM Plunger	15	(20)
38MM Plunger	15	(20)
32MM Plunger	15	(20)

Maximum discharge working pressure: bar (psi)

45MM Plunger	74	1073
38MM Plunger	104	1505
32MM Plunger	146	2121

Connections:

Suction Port	2" NPT
Discharge Port	3/4" NPT

Oil Capacity: liters (gallons)

Crankcase 5 (1.3)

Weight: Kg (lbs)

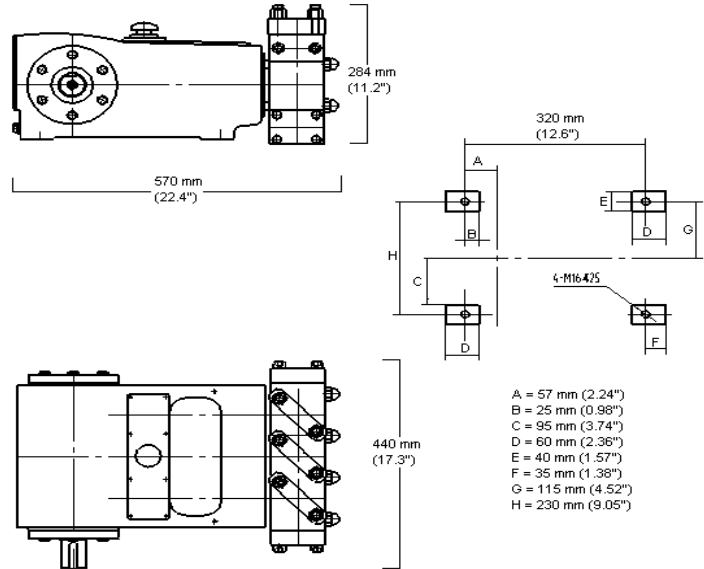
Pump only 150 (330)

Crankshaft diameter

45 mm

Optional accessories:

- Mechanical Packing Lubricator
- Flange Connections



NOTE: Dimensional information provided as a reference only. Please consult factory for certified drawings.

Plgr. Dia.		LPR	GPR	Max Pres.		100 RPM		200 RPM		300 RPM		400 RPM		500 RPM		600 RPM	
mm	in			BAR	PSI	LPM	GPM	LPM	GPM	LPM	GPM	LPM	GPM	LPM	GPM	LPM	GPM
45	1.772	0.191	0.050	74	1073	19	5	38	10	57	15	76	20	95	25	115	30
38	1.496	0.136	0.036	104	1505	14	4	27	7	41	11	54	14	68	18	82	22
32	1.260	0.097	0.025	146	2121	10	3	19	5	29	8	39	10	48	13	58	15

*Flows are based on 100% volumetric efficiency.

Features:

- * Forged Fluid Cylinder
- * SS Disc Valve Assemblies
- * Colmonoy Coated Plungers
- * Self-Lubricating Teflon/Kevlar Packing
- * Cast Iron Crankcase
- * Forged Steel Crankshaft
- * Heavy Duty Steel Tapered Roller Bearings

$$HP = \frac{(GPM)(PSI)}{1543}$$

$$KW = \frac{(lpm)(bar)}{540}$$

Head Office:
 6120 Davies Road
 Edmonton, AB
 T6E 4M9

Phone: (780) 485-2010 • Toll Free: (866) 707-7867
 Fax: (780) 485-1938
 • Calgary • Drayton Valley • Lethbridge
www.rotatingright.com

