



Weatherford
Industrial Pumps
ISO 9001

2020SC

Triplex Plunger Pump

Specifications:

Stroke Length: mm (Inches) 40 (1.575)

Rated power at max. flow and pressure: kw (hp)

45MM Plunger 39 (56)
38MM Plunger 39 (56)
32MM Plunger 39 (56)

Maximum discharge working pressure: bar (psi)

45MM Plunger 150 (2175)
38MM Plunger 207 (3000)
32MM Plunger 300 (4350)

Connections:

Suction Port 1.3/4" NPT
Discharge Port 1-1/4" NPT

Oil Capacity: liters (gallons)

Crankcase 5 (1.3)

Weight: Kg (lbs)

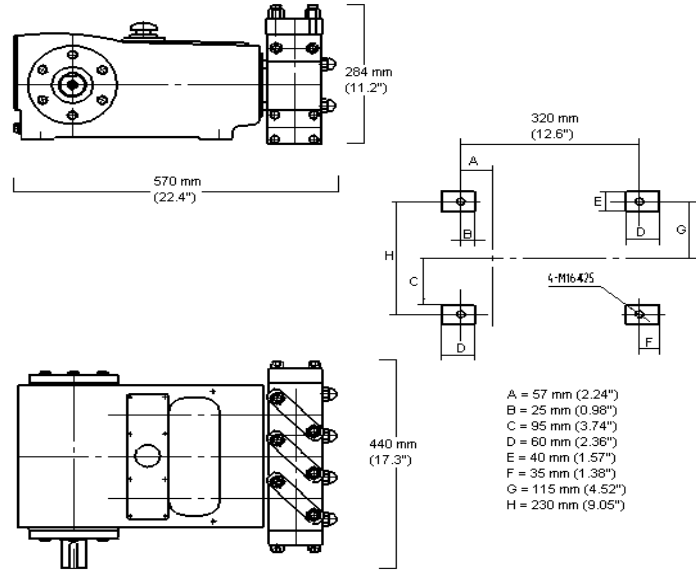
Pump only 147 (325)

Crankshaft diameter

45 mm

Optional accessories:

- Hydraulic motor mount
- Piston cup packing w/ liner for 45MM model
- Privatized name plate



NOTE: Dimensional information provided as a reference only.
Please consult factory for certified drawings.

Plgr. Dia.	mm	in	LPR	GPR	Max Pres.		300 RPM		400 RPM		500 RPM		600 RPM		700 RPM		800 RPM	
					BAR	PSI	LPM	GPM	LPM	GPM	LPM	GPM	LPM	GPM	LPM	GPM	LPM	GPM
45	1.772	0.191	0.050	150	2175	57	15	76	20	95	25	115	30	134	35	153	40	
38	1.496	0.136	0.036	207	3000	41	11	54	14	68	18	82	22	95	25	109	29	
32	1.260	0.097	0.025	300	4350	29	8	39	10	48	13	58	15	68	18	78	20	

*Flows are based on 100% volumetric efficiency.

Features:

- * Forged Fluid Cylinder
- * 410 SS Disc Valve Assemblies
- * Colmonoy Coated Plungers
- * Self-Lubricating Teflon/Kevlar Packing
- * Cast Iron Crankcase
- * Forged Steel Crankshaft
- * Heavy Duty Steel Tapered Roller Bearings

$$HP = \frac{(GPM)(PSI)}{1543}$$

$$KW = \frac{(lpm)(bar)}{540}$$

Head Office:
6120 Davies Road
Edmonton, AB
T6E 4M9

Phone: (780) 485-2010 • Toll Free: (866) 707-7867
Fax: (780) 485-1938
• Calgary • Drayton Valley • Lethbridge
www.rotatingright.com

