



# Weatherford<sup>®</sup>

**Industrial Pumps**  
**ISO 9001**

# 2040

**Triplex Plunger Pump**

**Specifications:**

**Stroke Length: mm (Inches)** 60 (2.362)

**Maximum discharge working pressure: bar (psi)**

57MM Plunger 69 (1004)  
42MM Plunger 127 (1847)  
38MM Plunger 156 (2258)

**Rated power at 600 RPM: kw (hp)**

57MM Plunger 30 (40)  
42MM Plunger 30 (40)  
38MM Plunger 30 (40)

**Connections:**

Suction Port 2-1/2" NPT  
Discharge Port 1-1/2" NPT

**Crankshaft diameter:**

50 mm

**Oil capacity: liters (gallons)**

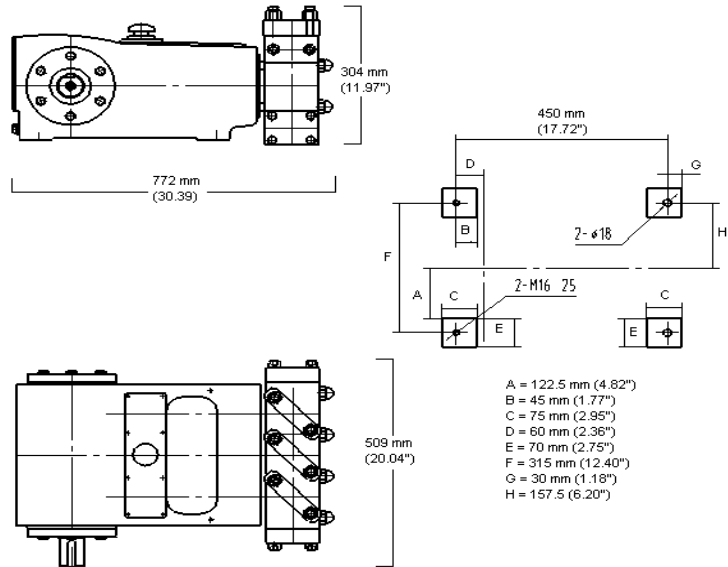
Crankcase 6 (1.6)

**Weight: Kg (lbs)**

Pump only 240 (529)

**Optional accessories:**

Mechanical Packing Lubricator  
Flange Connections



NOTE: Dimensional information provided as a reference only.  
Please consult factory for certified drawings.

Plgr. Dia.				Max Pres.		100 RPM		200 RPM		300 RPM		400 RPM		500 RPM		600 RPM	
mm	in	LPR	GPR	BAR	PSI	LPM	GPM	LPM	GPM	LPM	GPM	LPM	GPM	LPM	GPM	LPM	GPM
57	2.24	0.458	0.121	69	1004	46	12	92	24	137	36	183	48	229	61	275	73
42	1.654	0.249	0.066	127	1847	25	7	50	13	75	20	100	26	125	33	150	40
38	1.496	0.204	0.054	156	2258	20	5	41	11	61	16	82	22	102	27	122	32

\*Flows are based on 100% volumetric efficiency.

**Features:**

- \* Forged Fluid Cylinder
- \* Disc Valve Assemblies
- \* Colmonoy Coated Plungers
- \* Self-Lubricating Teflon/Kevlar Packing
- \* Cast Iron Crankcase
- \* Forged Steel Crankshaft
- \* Heavy Duty Steel Tapered Roller Bearings

$$HP = \frac{(GPM) (PSI)}{1543}$$

$$KW = \frac{(lpm) (bar)}{540}$$



**Head Office:**  
6120 Davies Road  
Edmonton, AB  
T6E 4M9

Phone: (780) 485-2010 • Toll Free: (866) 707-7867  
Fax: (780) 485-1938  
• Calgary • Drayton Valley • Lethbridge  
[www.rotatingright.com](http://www.rotatingright.com)