



# Weatherford<sup>®</sup>

**Industrial Pumps**  
**ISO 9001**

# 2040SC

Triplex Plunger Pump

### Specifications:

Stroke Length: mm (Inches) 60 (2.362)

Maximum discharge working pressure: bar (psi)

57MM Plunger	216	(3135)
42MM Plunger	226	(3500)
38MM Plunger	276	(4000)

Rated power at max. flow and pressure: kw (hp)

57MM Plunger	72	(97)
42MM Plunger	72	(97)
38MM Plunger	68	(91)

### Connections:

Suction Port	2-1/4" NPT
Discharge Port	1-1/2" NPT

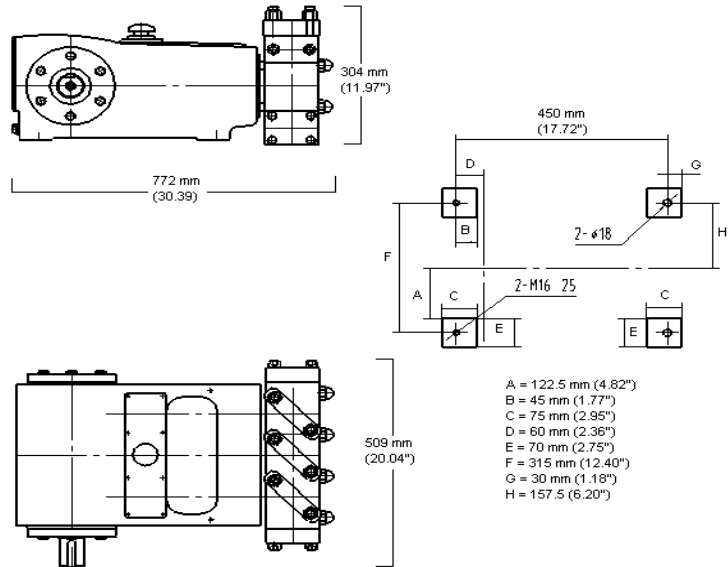
Crankshaft diameter: 50 mm

Oil capacity: liters (gallons)

Crankcase	6	(1.6)
-----------	---	-------

Weight: Kg (lbs)

Pump only	240	(529)
-----------	-----	-------



NOTE: Dimensional information provided as a reference only.  
Please consult factory for certified drawings.

### Optional accessories:

- Hydraulic motor mount
- Piston cup packing w/ liner

Plgr. Dia.				Max Pres.		300 RPM		400 RPM		450 RPM		550 RPM		600 RPM		650 RPM	
mm	in	LPR	GPR	BAR	PSI	LPM	GPM	LPM	GPM	LPM	GPM	LPM	GPM	LPM	GPM	LPM	GPM
57	2.24	0.458	0.121	216	3135	136	36	182	48								
42	1.654	0.249	0.066	226	3500	75	20	100	26	112	30	137	36	151	40	162	43
38	1.496	0.204	0.054	276	4000	61	16	82	22	92	24	112	30	121	32	133	35

\*Flows are based on 100% volumetric efficiency.

\*\*Pump specifications are based upon intermittent service only; consult factory for continuous duty ratings

### Features:

- \* Forged Fluid Cylinder
- \* 410 SS Disc Valve Assemblies
- \* Colmonoy Coated Plungers
- \* Self-Lubricating Teflon/Kevlar Packing
- \* Cast Iron Crankcase
- \* Forged Steel Crankshaft
- \* Heavy Duty Steel Tapered Roller Bearings

$$HP = \frac{(GPM) (PSI)}{1543}$$

$$KW = \frac{(lpm) (bar)}{540}$$



**Head Office:**  
6120 Davies Road  
Edmonton, AB  
T6E 4M9

Phone: (780) 485-2010 • Toll Free: (866) 707-7867  
Fax: (780) 485-1938  
• Calgary • Drayton Valley • Lethbridge  
[www.rotatingright.com](http://www.rotatingright.com)