



**Weatherford®**  
**Industrial Pumps**  
**ISO 9001**

**2080**

**Triplex Plunger Pump**

**Specifications:**

**Stroke Length: mm (Inches)** 80 (3.150)

**Pinion Gear**

Reduction Ratio 3 : 1

**Maximum discharge working pressure: bar (psi)**

80MM Plunger 98 (1415)  
 75MM Plunger 111 (1610)  
 70MM Plunger 128 (1850)  
 64MM Plunger 152 (2210)

**Rated power at max. flow and pressure: kw (hp)**

2080 Series 98 (132)

**Flange Connections:**

Suction Port 4" NPT  
 Discharge Port 2" NPT  
 Crankshaft Diameter 60MM

**Oil Capacity: liters (gallons)**

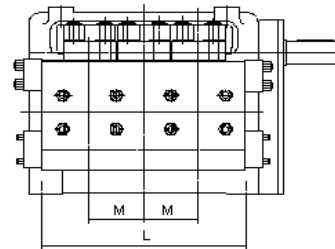
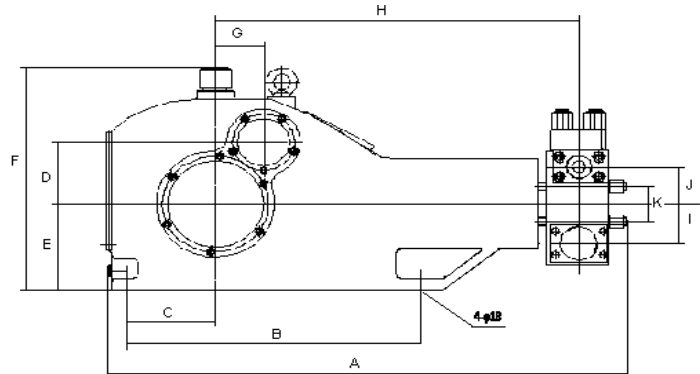
Crankcase 34.5 (9.1)

**Weight: Kg (lbs)**

Pump only 1500 (3306)

**Optional Accessories:**

Packing Lubrication  
 Positive Power End Lubrication  
 Additional plunger sizes available



Item	MM	INCHES
A	1198	47.2
B	670	26.4
C	202	8
D	157.6	6.2
E	220	8.7
F	568	22.4
G	110.3	4.3
H	833	32.8
I	100	3.9
J	95	3.7
K	90	3.5
L	490	19.3
M	130	5.1

NOTE: Dimensional information provided as a reference only.  
 Please consult factory for certified drawings.

Plgr. Dia.	mm	in	LPR	GPR	Max Pres.		400 RPM		600 RPM		800 RPM		1000 RPM		1200 RPM		1400 RPM*	
					BAR	PSI	LPM	GPM	LPM	GPM	LPM	GPM	LPM	GPM	LPM	GPM		
80	3.150	0.390	0.1029	98	1415	156	41	234	62	312	82	390	103	468	123	546	144	
75	2.953	0.341	0.090	111	1610	136	36	204	54	272	72	341	90	409	108	477	126	
70	2.756	0.295	0.0780	128	1850	118	31	177	47	236	62	295	78	354	94	413	109	
64	2.520	0.249	0.0658	152	2210	100	26	149	39	199	53	249	66	299	79	348	92	

\*Flows are based on 100% volumetric efficiency.

\*Consult factory for continuous speeds in excess of 1200 RPM.

**Features:**

- \* Forged Fluid Cylinder
- \* 304 SS Disc Valve Assemblies
- \* Colmonoy Coated Plungers
- \* Cast Iron Crankcase
- \* Forged Steel Crankshaft
- \* Heavy Duty Steel Tapered Roller Bearings

$$HP = \frac{(GPM) (PSI)}{1543}$$

$$KW = \frac{(lpm) (bar)}{540}$$



**Head Office:**  
 6120 Davies Road  
 Edmonton, AB  
 T6E 4M9

Phone: (780) 485-2010 • Toll Free: (866) 707-7867  
 Fax: (780) 485-1938  
 • Calgary • Drayton Valley • Lethbridge  
[www.rotatingright.com](http://www.rotatingright.com)