



Weatherford®

Industrial Pumps

ISO 9001

2080SC

Triplex Plunger Pump

Specifications:

Stroke Length: mm (Inches) 80 (3.150)

Pinion Gear

Reduction Ratio 3 : 1

Maximum discharge working pressure: bar (psi)

80MM Plunger	138	2000
75MM Plunger	158	2284
70MM Plunger	175	2534
64MM Plunger	209	3033

Rated power at max. flow and pressure: kw (hp)

2080SC Series 179 (240)

Flange Connections:

Suction Port	4" NPT
Discharge Port	2" NPT
Crankshaft Diameter	60MM (64 mm w/ key)

Oil Capacity: liters (gallons)

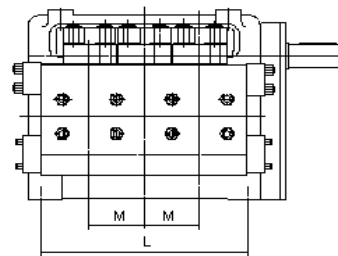
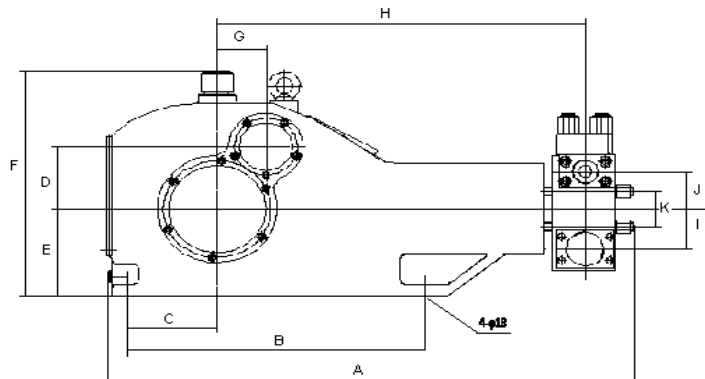
Crankcase 34.5 (9.1)

Weight: Kg (lbs)

Pump only 1500 (3306)

Optional Accessories:

Spline crankshaft for direct hydraulic motor mount



Item	MM	INCHES
A	1198	47.2
B	670	26.4
C	202	8
D	157.6	6.2
E	220	8.7
F	568	22.4
G	110.3	4.3
H	833	32.8
I	100	3.9
J	95	3.7
K	90	3.5
L	490	19.3
M	130	5.1

NOTE: Dimensional information provided as a reference only. Please consult factory for certified drawings.

Plgr. Dia.	mm	in	LPR	GPR	Max Pres.		1550 RPM		1600 RPM		1650 RPM		1700 RPM		1750 RPM		1800 RPM	
					BAR	PSI	LPM	GPM	LPM	GPM	LPM	GPM	LPM	GPM	LPM	GPM	LPM	GPM
80	3.150	0.390	0.1029	138	2000	605	160	624	165	643	170	662	175	681	180	700	185	
75	2.953	0.341	0.090	158	2284	530	140	545	144	564	149	579	153	598	158	613	162	
70	2.756	0.295	0.0780	175	2534	477	126	492	130	507	134	522	138	537	142	552	146	
64	2.520	0.249	0.0658	209	3033	397	105	412	109	424	112	435	115	450	119	461	122	

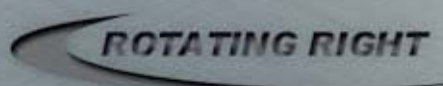
*Flows are based on 100% volumetric efficiency.

Features:

- * Forged Fluid Cylinder
- * 304 SS Disc Valve Assemblies
- * Colmonoy Coated Plungers
- * Cast Iron Crankcase
- * Forged Steel Crankshaft
- * Heavy Duty Steel Tapered Roller Bearings

$$HP = \frac{(GPM) (PSI)}{1543}$$

$$KW = \frac{(lpm) (bar)}{540}$$



Head Office:
6120 Davies Road
Edmonton, AB
T6E 4M9

Phone: (780) 485-2010 • Toll Free: (866) 707-7867
Fax: (780) 485-1938
• Calgary • Drayton Valley • Lethbridge
www.rotatingright.com