

ROTATING RIGHT

WEATHERFORD



Weatherford

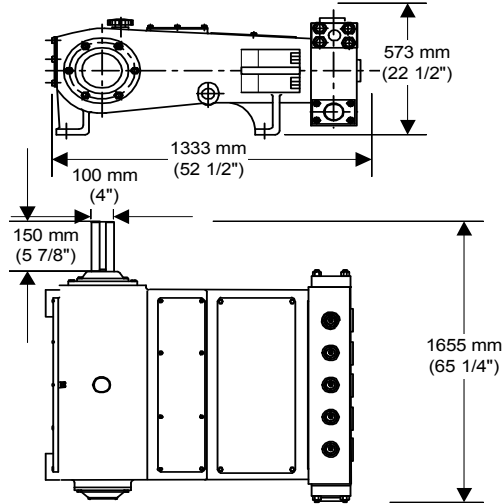
Industrial Pumps

2300Q

Quintuplex Plunger Pump

Specifications:

Stroke Length: mm (in.)	125 (5)
Rated power at 400 RPM: kw (hp)	224 (300)
Rated Plunger Load: kg (lbs.)	4762 (10500)
Maximum discharge working pressure: MPa (psi)	
"L" Series	12 (1761)
"M" Series	34 (4892)
"H" Series	88 (12766)
Oil Capacity: liters (gallons)	
Crankcase	42 (11)
Weight: kg (lbs.)	
Pump only	2494.5 (5500)
Optional Accessories:	
Packing lubrication	
Positive crankcase lubrication	
Non-emission liner	

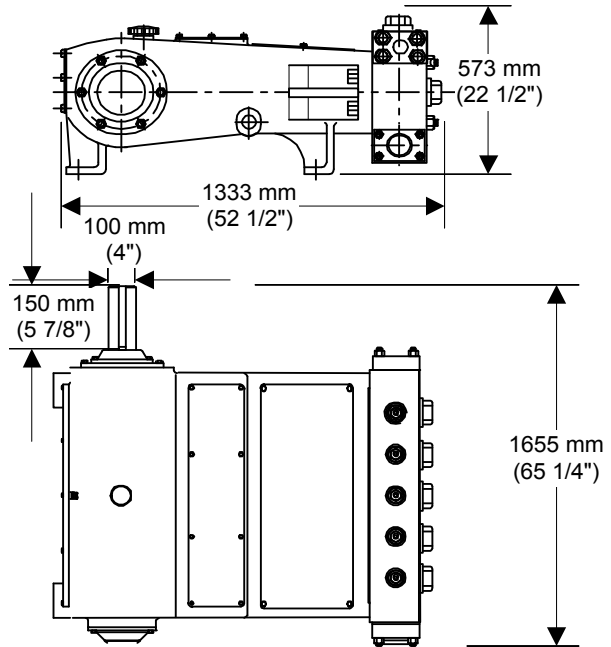


NOTE: Dimensional information provided as a reference only.
Please consult factory for certified drawings.

	Plgr. Dia.		LPR		GPR		Max Pres.		150 RPM		200 RPM		250 RPM		300 RPM		350 RPM*		400 RPM*	
	mm	in	LPR	GPR	MPa	PSI	LPM	GPM	LPM	GPM	LPM	GPM	LPM	GPM	LPM	GPM	LPM	GPM	LPM	GPM
2300Q-L	100	3.937	4.909	1.297	5.9	863	736	195	982	259	1227	324	1473	389	1718	454	1964	519		
	90	3.543	3.976	1.050	7.3	1065	596	158	795	210	994	263	1193	315	1392	368	1590	420		
	85	3.346	3.547	0.937	8.2	1194	532	141	709	187	887	234	1064	281	1241	328	1419	375		
	75	2.953	2.761	0.729	11	1534	414	109	552	146	690	182	828	219	966	255	1104	292		
	70	2.756	2.405	0.635	12	1761	361	95	481	127	601	159	722	191	842	222	962	254		
2300Q-M	65	2.559	2.074	0.548	14	2043	311	82	415	110	518	137	622	164	726	192	830	219		
	60	2.362	1.767	0.467	17	2397	265	70	353	93	442	117	530	140	619	163	707	187		
	55	2.165	1.485	0.392	20	2853	223	59	297	78	371	98	445	118	520	137	594	157		
	50	1.969	1.227	0.324	24	3452	184	49	245	65	307	81	368	97	430	113	491	130		
	48	1.890	1.131	0.299	26	3746	170	45	226	60	283	75	339	90	396	105	452	120		
	45	1.772	0.994	0.263	29	4262	149	39	199	53	249	66	298	79	348	92	398	105		
2300Q-H	42	1.654	0.866	0.229	34	4892	130	34	173	46	216	57	260	69	303	80	346	91		
	38	1.496	0.709	0.187	41	5976	106	28	142	37	177	47	213	56	248	66	284	75		
	35	1.378	0.601	0.159	49	7045	90	24	120	32	150	40	180	48	210	56	241	64		
	32	1.260	0.503	0.133	58	8427	75	20	101	27	126	33	151	40	176	46	201	53		
	29	1.142	0.413	0.109	71	10261	62	16	83	22	103	27	124	33	144	38	165	44		
	26	1.024	0.332	0.088	88	12766	50	13	66	18	83	22	100	26	116	31	133	35		

Specifications:

Stroke Length: in. (mm)	5 (125)
Rated power at 400 RPM: hp (kw)	300 (224)
Rated Plunger Load: lbs. (Kg)	10500 (4762)
Maximum discharge working pressure: psi (bar)	
"L" Series	1768 (122)
"M" Series	5063 (349)
"H" Series	13369 (922)
Oil Capacity: gallons (liters)	
Crankcase	11 (42)
Weight: lbs. (kg)	
Pump only	5500 (2494)
Optional Accessories:	
Packing lubrication	
Positive crankcase lubrication	
Non-emission liner	



NOTE: Dimensional information provided as a reference only.
Please consult factory for certified drawings.

* Flows are based on 100% volumetric efficiency.
Positive crankcase lubrication is required on speeds less than 150 RPM.
Consult factory for continuous service speeds in excess of 450 RPM.

	Plgr. Dia. (in.)	Plgr. Area (in ²)	BPD per GPR	Max Pres. psi	150 RPM		200 RPM		250 RPM		300 RPM		350 RPM*		400 RPM*		
					GPM	BPD	GPM	BPD	GPM	BPD	GPM	BPD	GPM	BPD	GPM	BPD	
2300Q-L	4	12.566	1.344	46.07	836	202	6910	269	9214	336	11517	403	13821	470	16124	537	18428
	3 1/2	9.621	1.029	35.27	1091	154	5291	206	7054	257	8818	309	10581	360	12345	412	14109
	3	8.946	0.957	32.80	1174	143	4920	191	6559	239	8199	287	9839	335	11479	383	13119
	3	7.069	0.756	25.91	1485	113	3887	151	5183	189	6478	227	7774	265	9070	302	10366
	2 3/4	5.940	0.635	21.77	1768	95	3266	127	4355	159	5444	191	6532	222	7621	254	8710
2300Q-M	2 3/8	4.430	0.474	16.24	2370	71	2436	95	3248	118	4060	142	4872	166	5684	189	6496
	2 1/4	3.976	0.425	14.58	2641	64	2186	85	2915	106	3644	128	4373	149	5102	170	5831
	2 1/8	3.547	0.379	13.00	2961	57	1950	76	2600	95	3250	114	3901	133	4551	152	5201
	2	3.142	0.336	11.52	3342	50	1728	67	2303	84	2879	101	3455	118	4031	134	4607
	1 7/8	2.761	0.295	10.12	3803	44	1518	59	2025	74	2531	89	3037	103	3543	118	4049
	1 3/4	2.405	0.257	8.82	4365	39	1323	51	1764	64	2204	77	2645	90	3086	103	3527
	1 5/8	2.074	0.222	7.60	5063	33	1140	44	1521	55	1901	67	2281	78	2661	89	3041
2300Q-H	1 1/2	1.767	0.189	6.48	5942	28	972	38	1296	47	1620	57	1944	66	2267	76	2591
	1 3/8	1.485	0.159	5.44	7071	24	817	32	1089	40	1361	48	1633	56	1905	64	2177
	1 1/2	1.227	0.131	4.50	8556	20	675	26	900	33	1125	39	1350	46	1575	52	1800
	1 1/8	0.994	0.106	3.64	10563	16	547	21	729	27	911	32	1093	37	1275	43	1458
	1	0.785	0.084	2.88	13369	13	432	17	576	21	720	25	864	29	1008	34	1152

Head Office:
6120 Davies Road
Edmonton, AB
T6E 4M9

Phone: (780) 485-2010 • Toll Free: (866) 707-7867
Fax: (780) 485-1938
• Calgary • Drayton Valley • Lethbridge
www.rotatingright.com

