

ROTATING RIGHT

WEATHERFORD



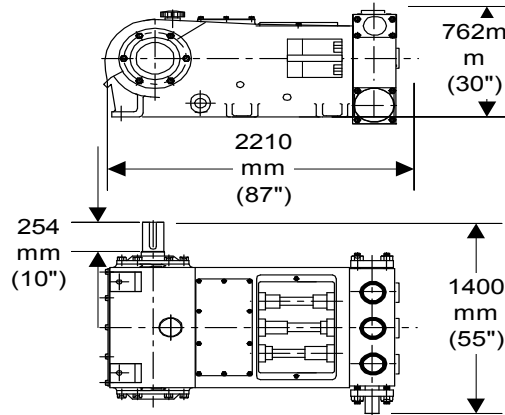
Weatherford
Industrial Pumps

2600

Triplex Plunger Pump

Specifications:

Stroke Length: mm (in.)	200 (8)
Rated power at 250 RPM: kw (hp)	448 (600)
Rated Plunger Load: kg (lbs.)	13000 (28665)
Maximum discharge working pressure: MPa (psi)	
"L" Series	13 (1947)
"M" Series	33 (4188)
"H" Series	54 (7788)
Oil Capacity: liters (gallons)	
Crankcase	120 (32)
Weight: kg (lbs.)	
Pump only	5,000 (11025)
Optional Accessories:	
Packing lubrication	
Non-emission liner	



NOTE: Dimensional information provided as a reference only. Please consult factory for certified drawings.

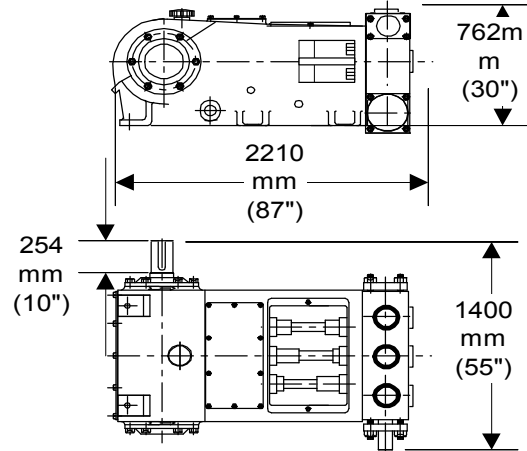
	Plgr. Dia.		LPR	GPR	Max Pres.		50 RPM		75 RPM		100 RPM		150 RPM		200 RPM		250 RPM*	
	mm	in			MPa	PSI	LPM	GPM	LPM	GPM	LPM	GPM	LPM	GPM	LPM	GPM	LPM	GPM
2600-L	150	5.906	10.603	2.801	7.2	1047	530	140	795	210	1060	280	1590	420	2121	560	2651	700
	125	4.921	7.363	1.945	10.4	1508	368	97	552	146	736	195	1104	292	1473	389	1841	486
	110	4.331	5.702	1.506	13	1947	285	75	428	113	570	151	855	226	1140	301	1426	377
2600-M	100	3.937	4.712	1.245	16	2356	236	62	353	93	471	124	707	187	942	249	1178	311
	90	3.543	3.817	1.008	20	2908	191	50	286	76	382	101	573	151	763	202	954	252
	75	2.953	2.651	0.700	29	4188	133	35	199	53	265	70	398	105	530	140	663	175
	70	2.756	2.309	0.610	33	4808	115	30	173	46	231	61	346	91	462	122	577	152
2600-H	65	2.559	6.647	0.526	38	5576	332	26	499	39	665	53	997	79	1329	105	1662	131
	60	2.362	6.136	0.448	45	6544	307	22	460	34	614	45	920	67	1227	90	1534	112
	55	2.165	5.624	0.377	54	7788	281	19	422	28	562	38	844	56	1125	75	1406	94

Specifications:

Stroke Length: in. (mm)	8 (200)
Rated power at 250 RPM: hp (kw)	600 (447)
Rated Plunger Load: lbs. (Kg)	28665 (13000)
Maximum discharge working pressure: psi (bar)	
"L" Series	1907 (132)
"M" Series	4826 (333)
"H" Series	8082 (557)
Oil Capacity: gallons (liters)	
Crankcase	32 (121.1)
Weight: lbs. (kg)	
Pump only	11,025 (5000)

Optional Accessories:

- Packing lubrication
- Non-emission liner



NOTE: Dimensional information provided as a reference only.
Please consult factory for certified drawings.

* Flows are based on 100% volumetric efficiency.
Positive crankcase lubrication is required on speeds less than 150 RPM.
Consult factory for continuous service speeds in excess of 450 RPM.

	Plgr. Dia. (in.)	Plgr. Area (in ²)	BPD per RPM	Max Pres. psi	50 RPM		100 RPM		150 RPM		200 RPM		250 RPM*		
					GPM	BPD	GPM	BPD	GPM	BPD	GPM	BPD	GPM	BPD	
2600-L	6	28.274	2.890	99.08	1014	144	4954	289	9908	433	14862	578	19816	722	24770
	5	19.635	2.007	68.81	1460	100	3440	201	6881	301	10321	401	13761	502	17202
	4 3/8	15.033	1.536	52.68	1907	77	2634	154	5268	230	7902	307	10536	384	13170
2600-M	4	12.566	1.284	44.04	2281	64	2202	128	4404	193	6605	257	8807	321	11009
	3 1/2	9.621	0.983	33.72	2979	49	1686	98	3372	148	5057	197	6743	246	8429
	3	7.069	0.722	24.77	4055	36	1239	72	2477	108	3716	144	4954	181	6193
	2 3/4	5.940	0.607	20.81	4826	30	1041	61	2081	91	3122	121	4163	152	5203
2600-H	2 1/2	4.909	0.502	17.20	5840	25	860	50	1720	75	2580	100	3440	125	4300
	2 3/8	4.430	0.453	15.52	6470	23	776	45	1552	68	2329	91	3105	113	3881
	2 1/8	3.547	0.362	12.43	8082	18.1	621	36	1243	54	1864	72	2486	91	3107



Head Office:
6120 Davies Road
Edmonton, AB
T6E 4M9

Phone: (780) 485-2010 • Toll Free: (866) 707-7867
Fax: (780) 485-1938
• Calgary • Drayton Valley • Lethbridge
www.rotatingright.com