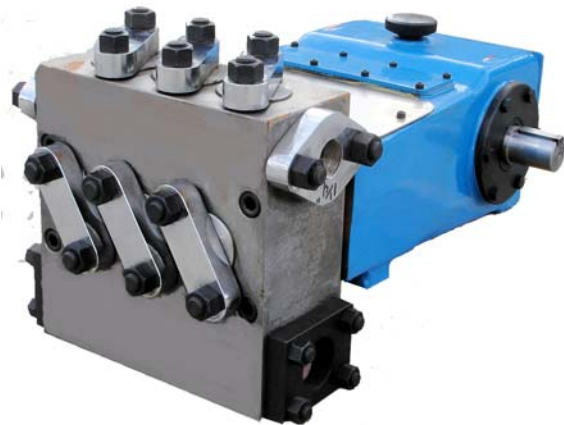


## Triplex Power Pump

The Weatherford Model T13 is a single acting triplex plunger pump rated at 13 HP in continuous duty services and up to 16 HP in intermittent duty. This versatile pump is offered with a variety of material and design options that make it ideal for general industrial, reverse osmosis, and typical applications involved in the production of oil and natural gas.



### Specifications

	Continuous	Intermittent
Rated Power .....	13 HP	16 HP
Maximum Speed .....	475 RPM	600 RPM
Minimum Speed .....	100 RPM	80 RPM

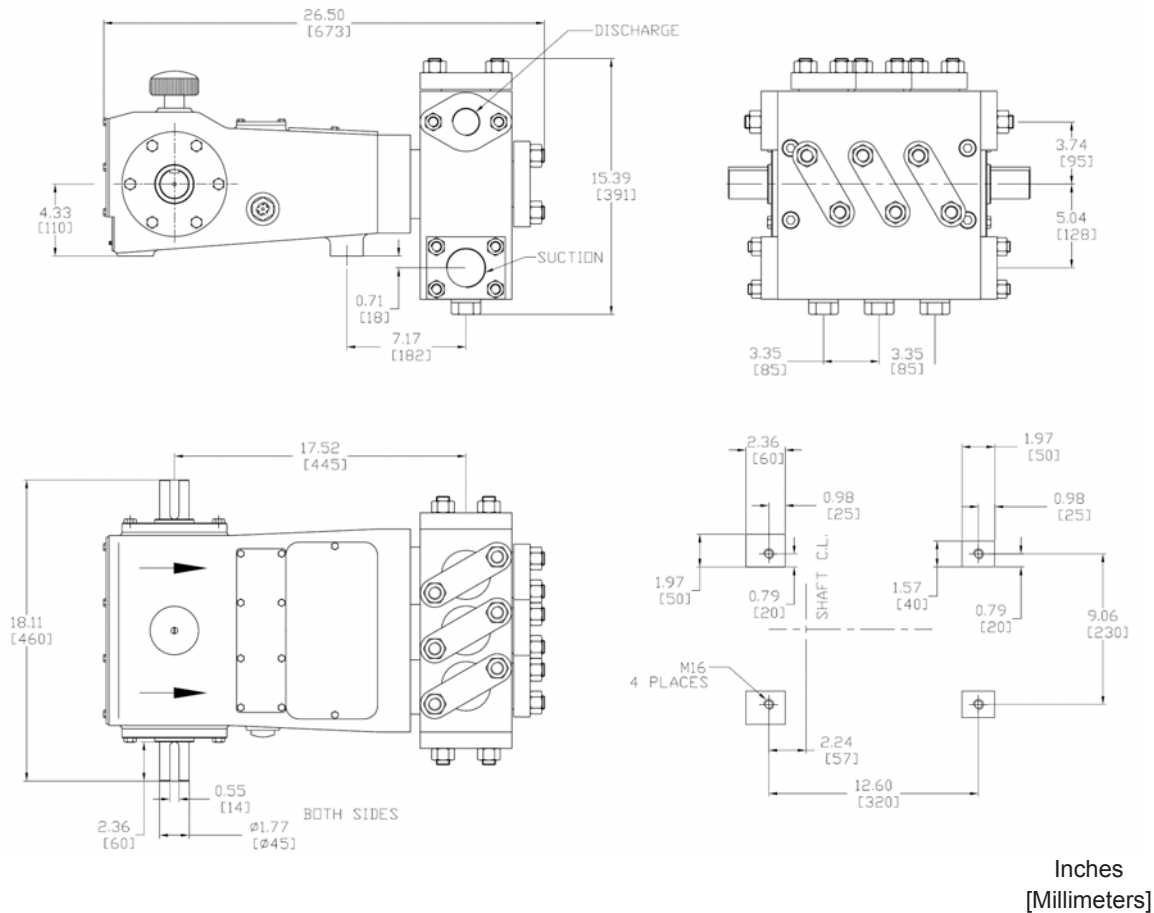
	US Customary	Metric
Stroke Length .....	1.575 IN	40 MM
Rated Rod Load .....	1,980 LB	900 KG
Pump Weight .....	615 LB	280 KG
Oil Capacity .....	2.9 QT	2.7 L
Maximum Fluid Temp. ....	180°F	82°C
Mechanical Efficiency .....	90%	

### Performance Ratings

Pump Model	Plunger Size (IN)	Displacement (Gal/Rev)	Rated Pressure (PSI)	Rated Capacity (GPM)			Fluid Cylinder	Standard Connections	
				Minimum	Continuous	Intermittent		Inlet	Discharge
T13-0.625IN	0.625	0.0063	6,450	0.63	2.98	3.76	A	1" NPT	1/2" NPT
T13-0.750IN	0.75	0.0090	4,480	0.90	4.29	5.42	A	1" NPT	1/2" NPT
T13-1.000IN	1	0.0161	2,520	1.61	7.63	9.64	B	1-1/2"	1" NPT
T13-1.125IN	1.125	0.0203	1,990	2.03	9.66	12.20	B	1-1/2"	1" NPT
T13-1.375IN	1.375	0.0304	1,330	3.04	14.43	18.22	B	1-1/2"	1" NPT
T13-1.500IN	1.5	0.0361	1,120	3.61	17.17	21.68	C	2" NPT	1" NPT
T13-1.750IN	1.75	0.0492	820	4.92	23.37	29.52	C	2" NPT	1" NPT
T13-2.000IN	2	0.0643	630	6.43	30.52	38.55	C	2" NPT	1" NPT

# Model T13

## General Dimensions



Inches  
[Millimeters]

Power Required:  $HP = \frac{GPM \times PSI}{1543}$



# Weatherford

Weatherford International, Ltd.

Note:

1. Capacities shown based on 100% volumetric efficiency. Actual capacities will be lower based on discharge pressures and fluid properties.
2. Maximum continuous and intermittent duty speeds are based on pumping fluids with viscosities similar to water. Consult Weatherford for speed de-rating guidelines for higher viscosity fluids.
3. Drawings shown are typical and should not be used for fabrication purposes.
4. Special designs and materials available for higher temperature operation.
5. Standard models shown. Other sizes and configurations may be available on request. Not all plunger sizes may be available in all materials. Consult Weatherford for more details.



**Head Office:**  
6120 Davies Road  
Edmonton, AB  
T6E 4M9

Phone: (780) 485-2010 • Toll Free: (866) 707-7867  
Fax: (780) 485-1938  
• Calgary • Drayton Valley • Lloydminster  
[www.rotatingright.com](http://www.rotatingright.com)