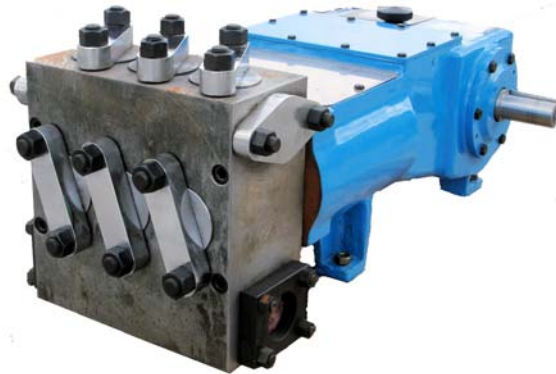


Triplex Power Pump

The Weatherford Model T22 is a single acting triplex plunger pump rated at 22 HP in continuous duty services and up to 28 HP in intermittent duty. This versatile pump is offered with a variety of material and design options that make it ideal for general industrial, reverse osmosis, and typical applications involved in the production of oil and natural gas.



Specifications

	Continuous	Intermittent
Rated Power	22 HP	28 HP
Maximum Speed.....	450 RPM	550 RPM
Minimum Speed.....	100 RPM	80 RPM

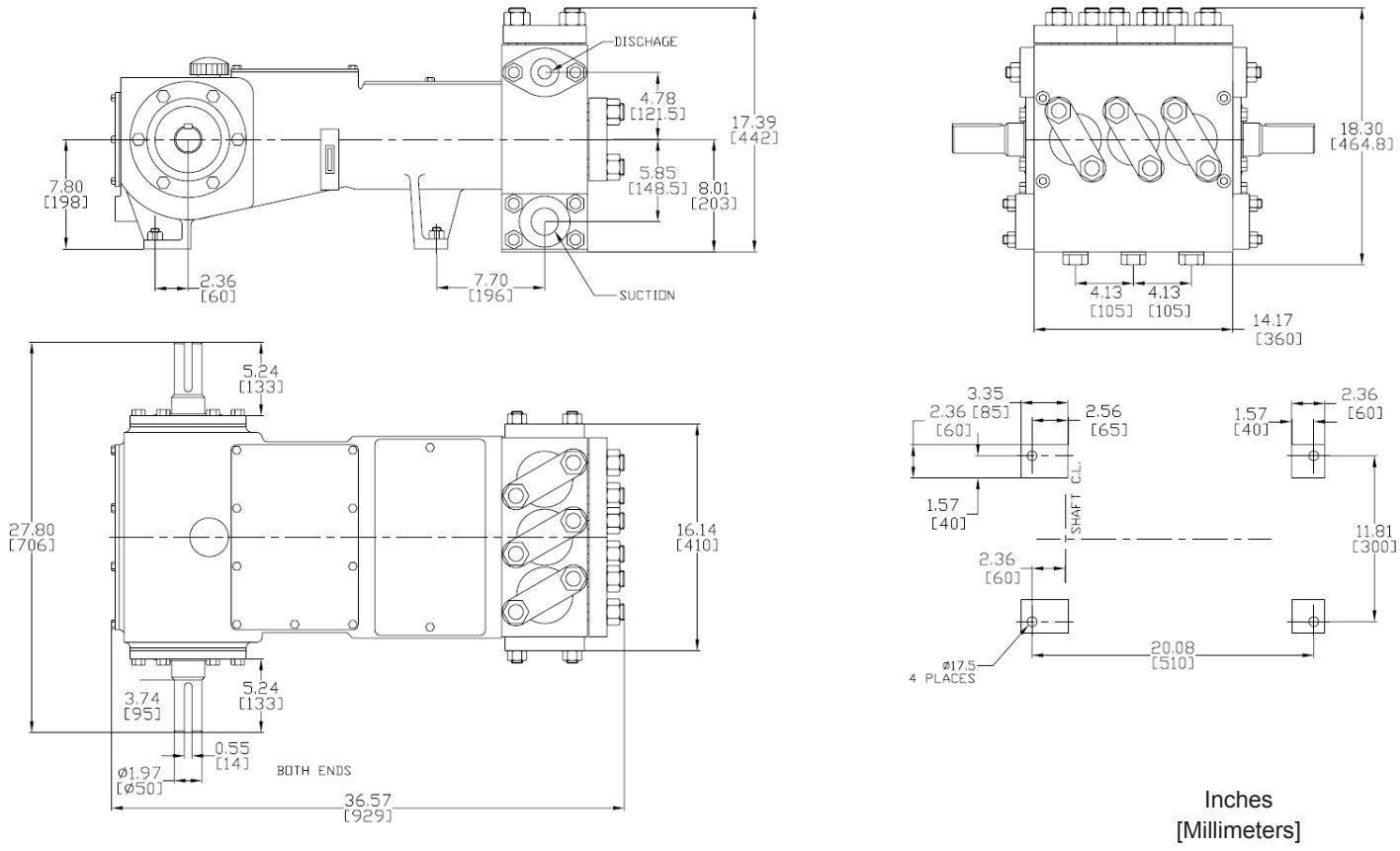
	US Customary	Metric
Stroke Length	1.969 IN	50 MM
Rated Rod Load.....	2,970 LB	1,350 KG
Pump Weight	990 LB	450 KG
Oil Capacity	8.5 QT	8 L
Maximum Fluid Temp.	180°F	82°C
Mechanical Efficiency	90%	

Performance Ratings

Pump Model	Plunger Size (IN)	Displacement (Gal/Rev)	Rated Pressure (PSI)	Rated Capacity (GPM)			Fluid Cylinder	Standard Connections	
				Minimum	Continuous	Intermittent		Inlet	Discharge
T22-0.750IN	0.75	0.0113	6,720	1.13	5.08	6.21	A	1" NPT	1/2" NPT
T22-1.000IN	1	0.0201	3,780	2.01	9.04	11.04	A	1" NPT	1/2" NPT
T22-1.125IN	1.125	0.0254	2,990	2.54	11.44	13.98	B	1-1/2" NPT	1" NPT
T22-1.375IN	1.375	0.0380	2,000	3.80	17.08	20.88	C	2" NPT	1-1/2" NPT
T22-1.500IN	1.5	0.0452	1,680	4.52	20.33	24.85	C	2" NPT	1-1/2" NPT
T22-1.750IN	1.75	0.0615	1,230	6.15	27.67	33.82	C	2" NPT	1-1/2" NPT
T22-2.000IN	2	0.0803	950	8.03	36.14	44.17	D	2-1/2" NPT	1-1/2" NPT
T22-2.125IN	2.125	0.0907	840	9.07	40.80	49.87	D	2-1/2" NPT	1-1/2" NPT

Model T22

General Dimensions



Inches
[Millimeters]

Power Required: $HP = \frac{GPM \times PSI}{1543}$

- Note:
1. Capacities shown based on 100% volumetric efficiency. Actual capacities will be lower based on discharge pressures and fluid properties.
 2. Maximum continuous and intermittent duty speeds are based on pumping fluids with viscosities similar to water. Consult Weatherford for speed de-rating guidelines for higher viscosity fluids.
 3. Drawings shown are typical and should not be used for fabrication purposes.
 4. Special designs and materials available for higher temperature operation.
 5. Standard models shown. Other sizes and configurations may be available on request. Not all plunger sizes may be available in all materials. Consult Weatherford for more details.



Weatherford International, Ltd.



Head Office:
6120 Davies Road
Edmonton, AB
T6E 4M9

Phone: (780) 485-2010 • Toll Free: (866) 707-7867
Fax: (780) 485-1938
• Calgary • Drayton Valley • Lloydminster
www.rotatingright.com