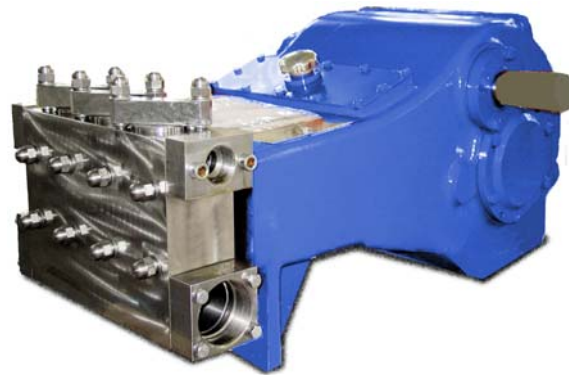


Triplex Power Pump

The Weatherford Model T40 is an internally gear reduced, single acting triplex plunger pump rated at 41 HP in continuous duty services and up to 66 HP in intermittent duty. This versatile pump is offered with a variety of material and design options that make it ideal for general industrial, reverse osmosis, and typical applications involved in the production of oil and natural gas.



Specifications

	Continuous	Intermittent
Rated Power	41 HP	66 HP
Maximum Speed	880 RPM	1,420 RPM
Minimum Speed	285 RPM	225 RPM

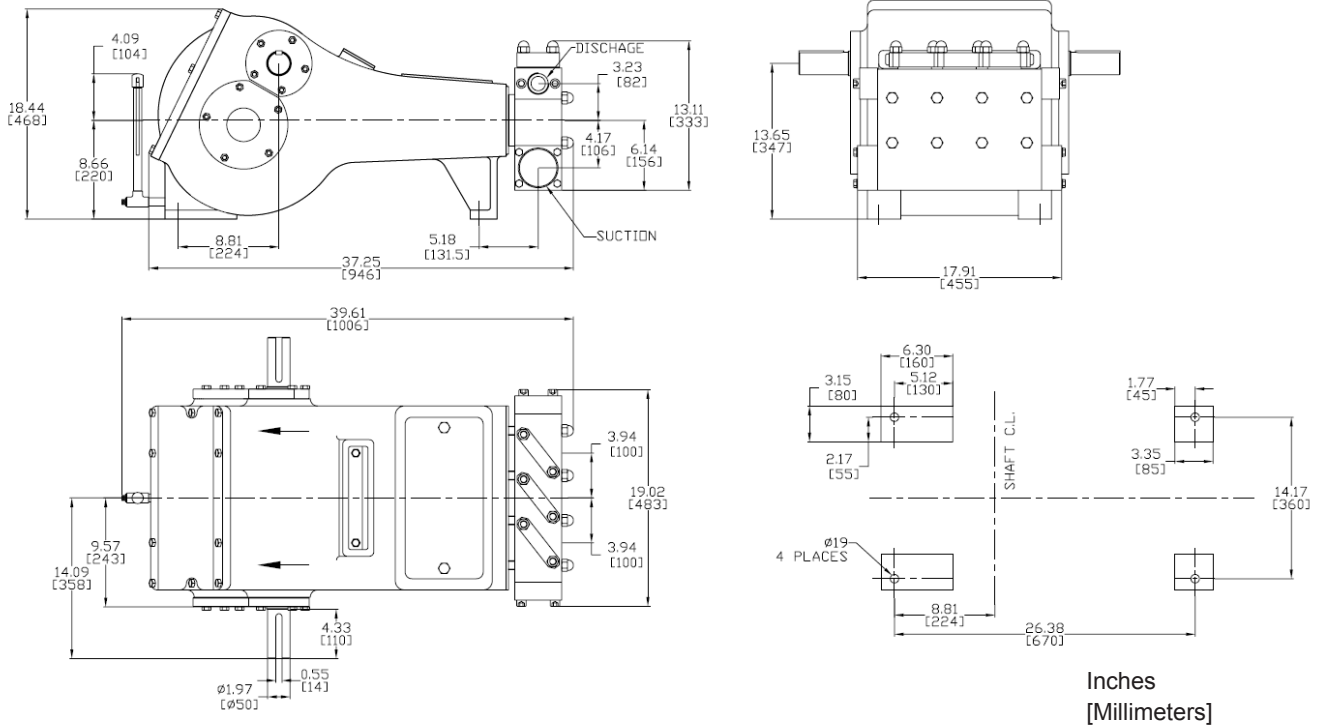
	US Customary	Metric
Stroke Length	2.953 IN	75 MM
Rated Rod Load	5,500 LB	2,500 KG
Pump Weight	945 LB	430 KG
Oil Capacity	17.4 QT	16.5 L
Maximum Fluid Temp.	180°F	82°C
Gear Reduction Ratio	3.15:1	
Mechanical Efficiency	85%	

Performance Ratings

Pump Model	Plunger Size (IN)	Displacement (Gal/Rev)	Rated Pressure (PSI)	Rated Capacity (GPM)			Fluid Cylinder	Standard Connections	
				Minimum	Continuous	Intermittent		Inlet	Discharge
T40-1.000IN	1	0.0096	4,480	2.7	8.4	13.6	A	2" NPT	1" NPT
T40-1.250IN	1.25	0.0149	4,480	4.3	13.1	21.2	A	2" NPT	1" NPT
T40-1.500IN	1.5	0.0215	3,110	6.1	18.9	30.5	B	2" NPT	1" NPT
T40-1.750IN	1.75	0.0293	2,290	8.3	25.8	41.6	B	3" NPT	1-1/2" NPT
T40-2.000IN	2	0.0382	1,750	10.9	33.7	54.3	C	3" NPT	1-1/2" NPT
T40-2.250IN	2.25	0.0484	1,380	13.8	42.6	68.7	D	3" NPT	1-1/2" NPT
T40-2.500IN	2.5	0.0598	1,120	17.0	52.6	84.9	D	3" NPT	1-1/2" NPT

Model T40

General Dimensions



Power Required: $HP = \frac{GPM \times PSI}{1450}$

Note:

1. Capacities shown based on 100% volumetric efficiency. Actual capacities will be lower based on discharge pressures and fluid properties.
2. Maximum continuous and intermittent duty speeds are based on pumping fluids with viscosities similar to water. Consult Weatherford for speed de-rating guidelines for higher viscosity fluids.
3. Drawings shown are typical and should not be used for fabrication purposes.
4. Special designs and materials available for higher temperature operation.
5. Standard models shown. Other sizes and configurations may be available on request. Not all plunger sizes may be available in all materials. Consult Weatherford for more details.



Weatherford

Weatherford International, Ltd.



Head Office:
6120 Davies Road
Edmonton, AB
T6E 4M9

Phone: (780) 485-2010 • Toll Free: (866) 707-7867
Fax: (780) 485-1938
• Calgary • Drayton Valley • Lloydminster
www.rotatingright.com