

Triplex Power Pump

The Weatherford Model T50 is a single acting triplex plunger pump rated at 47 HP in continuous duty services and up to 66 HP in intermittent duty. This versatile pump is offered with a variety of material and design options that make it ideal for general industrial, reverse osmosis, and typical applications involved in the production of oil and natural gas.



Specifications

	Continuous	Intermittent
Rated Power	47 HP	66 HP
Maximum Speed	320 RPM	450 RPM
Minimum Speed	90 RPM	75 RPM

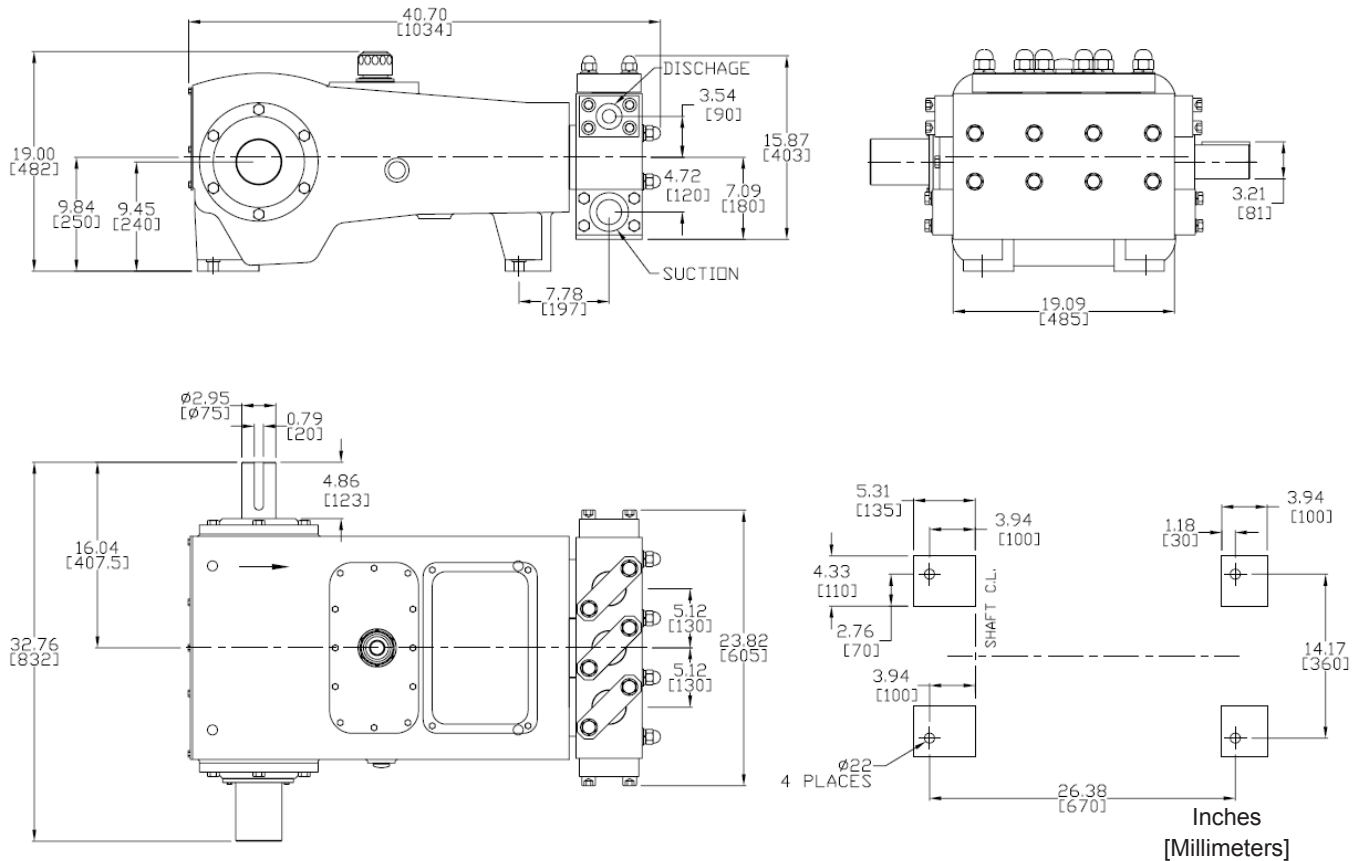
	US Customary	Metric
Stroke Length	3.15 IN	80 MM
Rated Rod Load	5,500 LB	2,500 KG
Pump Weight	1,435 LB	652 KG
Oil Capacity	12.7 QT	12 L
Maximum Fluid Temp.	180°F	82°C
Mechanical Efficiency	90%	

Performance Ratings

Pump Model	Plunger Size (IN)	Displacement (Gal/Rev)	Rated Pressure (PSI)	Rated Capacity (GPM)			Fluid Cylinder	Standard Connections	
				Minimum	Continuous	Intermittent		Inlet	Discharge
T50-1.125IN	1.125	0.0407	5,530	3.7	13.0	18.3	A	2" NPT	1" NPT
T50-1.250IN	1.25	0.0502	4,480	4.5	16.1	22.6	B	3" NPT	1-1/2" NPT
T50-1.750IN	1.75	0.0984	2,290	8.9	31.5	44.3	B	3" NPT	1-1/2" NPT
T50-2.000IN	2	0.1285	1,750	11.6	41.1	57.8	B	3" NPT	1-1/2" NPT
T50-2.250IN	2.25	0.1626	1,380	14.6	52.0	73.2	C	4" CL150 RF	2" NPT
T50-2.625IN	2.625	0.2214	1,020	19.9	70.8	99.6	C	4" CL150 RF	2" NPT
T50-2.750IN	2.75	0.2430	900	21.9	77.7	109.3	C	4" CL150 RF	2" NPT

Model T50

General Dimensions



Power Required: $HP = \frac{GPM \times PSI}{1543}$

Note:

1. Capacities shown based on 100% volumetric efficiency. Actual capacities will be lower based on discharge pressures and fluid properties.
2. Maximum continuous and intermittent duty speeds are based on pumping fluids with viscosities similar to water. Consult Weatherford for speed de-rating guidelines for higher viscosity fluids.
3. Drawings shown are typical and should not be used for fabrication purposes.
4. Special designs and materials available for higher temperature operation.
5. Standard models shown. Other sizes and configurations may be available on request. Not all plunger sizes may be available in all materials. Consult Weatherford for more details.



Weatherford

Weatherford International, Ltd.

Head Office:
6120 Davies Road
Edmonton, AB
T6E 4M9

Phone: (780) 485-2010 • Toll Free: (866) 707-7867
Fax: (780) 485-1938
• Calgary • Drayton Valley • Lloydminster
www.rotatingright.com

