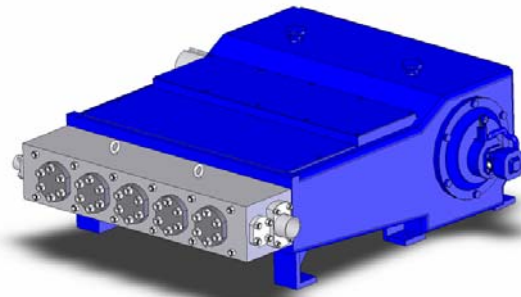


# Quintuplex Power Pump

The Weatherford Model Q700 is a single acting quintuplex plunger pump rated at 694 HP in continuous duty services and up to 808 HP in intermittent duty. This smooth running, versatile pump is offered with a variety of material and design options that make it ideal for general industrial, reverse osmosis, and typical applications involved in the production of oil and natural gas.

## Specifications

	<b>Continuous</b>	<b>Intermittent</b>
Rated Power .....	695 HP	808 HP
Maximum Speed .....	215 RPM	250 RPM
Minimum Speed .....	100 RPM	75 RPM
	<b>US Customary</b>	<b>Metric</b>
Stroke Length .....	7.874 IN	200 MM
Rated Rod Load .....	29,250 LB	13,295 KG
Pump Weight .....	13,000 LB	5,900 KG
Oil Capacity .....	73 GAL	275 L
Maximum Fluid Temp. ....	180°F	82°C
Mechanical Efficiency .....	90%	



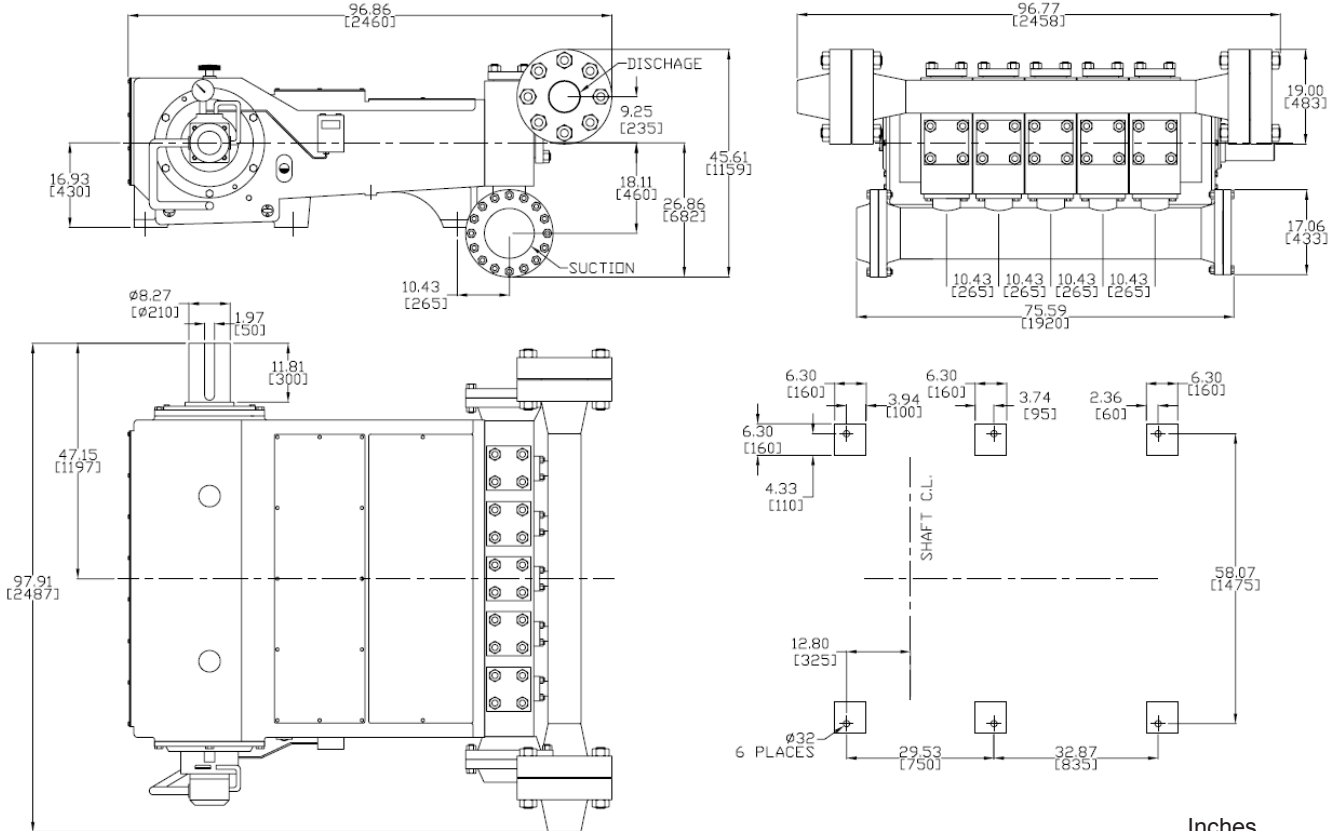
High pressure fluid end with inline style valves shown above.

## Performance Ratings

Pump Model	Plunger Size (IN)	Displacement (Gal/Rev)	Rated Pressure (PSI)	Rated Capacity (GPM)			Fluid Cylinder	Standard Connections	
				Minimum	Continuous	Intermittent		Inlet	Discharge
Q700-2.500IN	2.5	0.8366	5,960	83.7	179.9	209.2	A	6" CL150 RF	3" NPT
Q700-2.750IN	2.75	1.0123	4,920	101.2	217.6	253.1	A	6" CL150 RF	3" NPT
Q700-3.000IN	3	1.2047	4,140	120.5	259.0	301.2	A	6" CL150 RF	3" NPT
Q700-3.500IN	3.5	1.6398	3,040	164.0	352.5	409.9	B	8" CL150 RF	4" NPT
Q700-4.000IN	4	2.1417	2,330	214.2	460.5	535.4	B	8" CL150 RF	4" NPT
Q700-4.500IN	4.5	2.7106	1,840	271.1	582.8	677.7	B	8" CL150 RF	4" NPT
Q700-4.750IN	4.75	3.0202	1,650	302.0	649.3	755.0	C	10" CL150 RF	6" CL900 RF
Q700-5.000IN	5	3.3464	1,490	334.6	719.5	836.6	C	10" CL150 RF	6" CL900 RF
Q700-5.500IN	5.5	4.0492	1,230	404.9	870.6	1012.3	D	12" CL150 RF	6" CL900 RF
Q700-6.000IN	6	4.8189	1,030	481.9	1036.1	1204.7	D	12" CL150 RF	6" CL900 RF
Q700-6.250IN	6.25	5.2288	950	522.9	1124.2	1307.2	E	14" CL150 RF	8" CL600 RF
Q700-6.500IN	6.5	5.6555	880	565.5	1215.9	1413.9	E	14" CL150 RF	8" CL600 RF
Q700-7.000IN	7	6.5590	760	655.9	1410.2	1639.8	E	14" CL150 RF	8" CL600 RF

# Model Q700

## General Dimensions



Inches  
[Millimeters]

Power Required:  $HP = \frac{GPM \times PSI}{1543}$



# Weatherford

Weatherford International, Ltd.

Note:

1. Capacities shown based on 100% volumetric efficiency. Actual capacities will be lower based on discharge pressures and fluid properties.
2. Maximum continuous and intermittent duty speeds are based on pumping fluids with viscosities similar to water. Consult Weatherford for speed de-rating guidelines for higher viscosity fluids.
3. Drawings shown are typical and should not be used for fabrication purposes.
4. Special designs and materials available for higher temperature operation.
5. Standard models shown. Other sizes and configurations may be available on request. Not all plunger sizes may be available in all materials. Consult Weatherford for more details.



**Head Office:**  
6120 Davies Road  
Edmonton, AB  
T6E 4M9

Phone: (780) 485-2010 • Toll Free: (866) 707-7867  
Fax: (780) 485-1938  
• Calgary • Drayton Valley • Lloydminster  
[www.rotatingright.com](http://www.rotatingright.com)