

Triplex Mud Pump

The Weatherford Model MP16 is a single acting triplex mud pump rated for 1600 HP in oilfield drilling applications. Compatibility with field proven design standards and high quality fabrication techniques assure performance and durability in the most demanding drilling conditions. The pump is supplied skid mounted with a comprehensive array of accessory equipment.

Specifications

Rated Power 1600 HP
 Maximum Speed 120 RPM (at crankshaft)
 Minimum Speed 40 RPM (at crankshaft)

Stroke Length 12 IN
 Gear Reduction Ratio 4.230:1
 Rated Rod Load 130,250,000 LB
 Pump Weight 61,675 LB
 Valve Pot API-7
 Maximum Fluid Temp. 140°F
 Mechanical Efficiency 90%

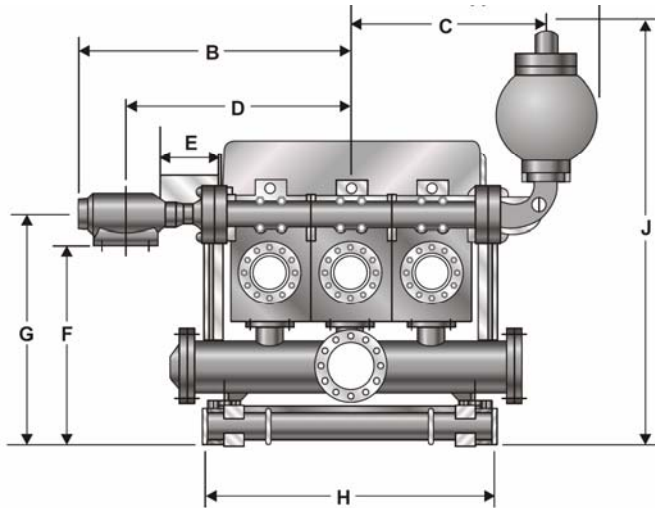


Performance Ratings

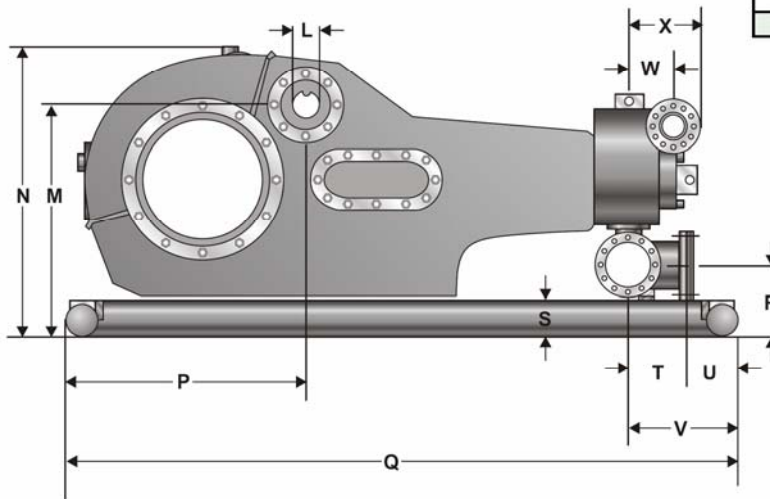
Plunger Size (Inch)	Displacement (GAL/REV)	Rated Pressure (PSI)	Pump Capacity (GPM) @ Jackshaft Speed				
			170 RPM	350 RPM	400 RPM	450 RPM	505 RPM
7	5.998	3,400	241	496	567	638	716
6.5	5.171	3,900	208	428	489	550	617
6.25	4.781	4,200	192	396	452	509	571
6	4.406	4,600	177	365	417	469	526
5.75	4.047	5,000	163	335	383	431	483
Horsepower			532	1094	1251	1407	1579

Model MP16

General Dimensions



	INCH	MM
A	60.6	1540
B	67.8	1722
C	48.1	1222
D	56.1	1424
E	13.5	344
F	51.6	1311
G	59.6	1514
H	72.8	1850
J	107.8	2738
L (Diameter)	8.5	215.9
(Keyway)	2 X 1	50.8 X 25.4
M	65.6	1666
N	81.0	2058
P	73.4	1864
Q	192.0	4876
R	21.6	548
S	11.8	300
T	16.5	419
U	13.7	349
V	30.2	768
W	12.8	324
X	19.3	489



Weatherford

Weatherford International, Ltd.

Note:

1. Capacities shown based on 100% volumetric efficiency. Actual capacities will be lower based on discharge pressures and fluid properties.
2. Drawings shown are typical and should not be used for fabrication purposes.



Head Office:
6120 Davies Road
Edmonton, AB
T6E 4M9

Phone: (780) 485-2010 • Toll Free: (866) 707-7867
Fax: (780) 485-1938
• Calgary • Drayton Valley • Lloydminster
www.rotatingright.com