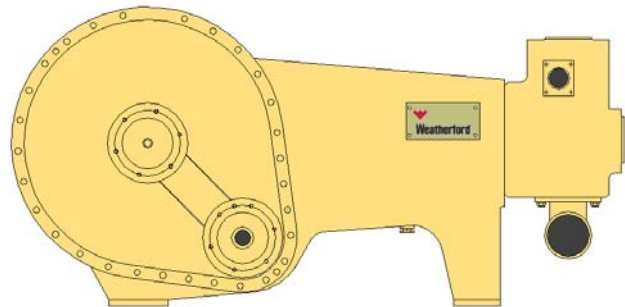


Triplex Well Service Pump

The Weatherford Model TW-800 is a single acting triplex plunger pump rated for a maximum of 800 HP in well service applications. This versatile pump is specifically designed for traditional well service applications such as acidizing, fracturing, and cementing. To insure maximum performance capabilities, a complete power end lubrication system is standard equipment on all pump models.



Specifications

Rated Power 800 HP
 Rated Rod Load 140,500 LB
 Maximum Input Speed 1,575 RPM
 Minimum Input Speed 450 RPM

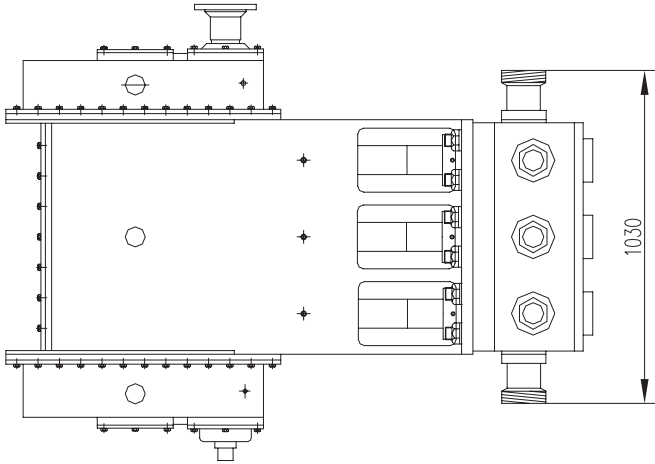
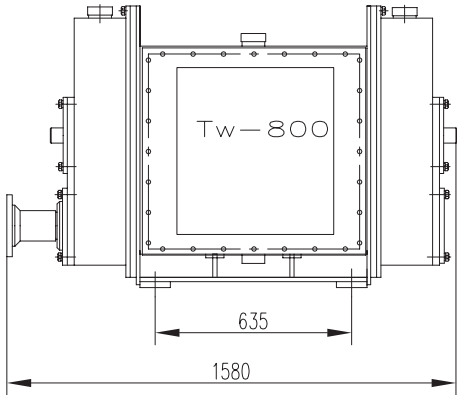
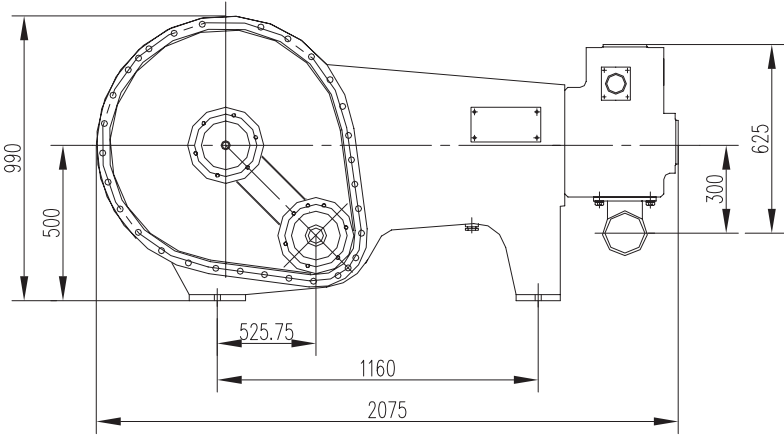
Stroke Length 7.0 IN
 Pump Weight 7,920
 Gear Reduction Ratio 4.5:1
 Maximum Fluid Temp. 180°F
 Mechanical Efficiency 90%

Performance Ratings

Plunger Diameter (IN)	Performance Parameter	100 RPM	150 RPM	200 RPM	250 RPM	300 RPM	350 RPM
3 3/4	Capacity (GPM)	100	151	201	251	301	351
	Pressure (PSI)	13,340	12,473	8,267	6,237	4,931	4,061
4	Capacity (GPM)	114	171	228	286	343	400
	Pressure (PSI)	11,600	11,020	7,250	5,510	4,350	3,630
4 1/2	Capacity (GPM)	145	217	289	361	434	506
	Pressure (PSI)	9,280	8,700	5,800	4,350	3,480	2,900
5	Capacity (GPM)	178	268	357	446	535	625
	Pressure (PSI)	7,980	7,250	4,640	3,480	2,760	2,320
Horsepower		450	800	800	800	800	800

Model TW-800

General Dimensions



Dimensions shown in MM

Power Required: $HP = \frac{GPM \times PSI}{1543}$



Weatherford

Weatherford International, Ltd.

Note:

1. Capacities shown based on 100% volumetric efficiency. Actual capacities will be lower based on discharge pressures and fluid properties.
2. Maximum continuous and intermittent duty speeds are based on pumping fluids with viscosities similar to water. Consult Weatherford for speed derating guidelines for higher viscosity fluids.
3. Drawings shown are typical and should not be used for fabrication purposes.

Head Office:

6120 Davies Road
Edmonton, AB
T6E 4M9



Phone: (780) 485-2010 • Toll Free: (866) 707-7867
Fax: (780) 485-1938
• Calgary • Drayton Valley • Lloydminster
www.rotatingright.com